

23 / 2

22 / 2

510 / 1

111 / 1

116 / 2

502 / 1

321 / 4

503 / 6

203 / 4

201 / 4

115 / 1

501 / 1

45 / 2

509 / 1

506 / 1

505 / 1

513 / 1

500 / 1

601 / 1

604 / 1

606 / 1

106 / 2

406 / 2

605 / 1

600 / 1

408 / 2

608 / 1

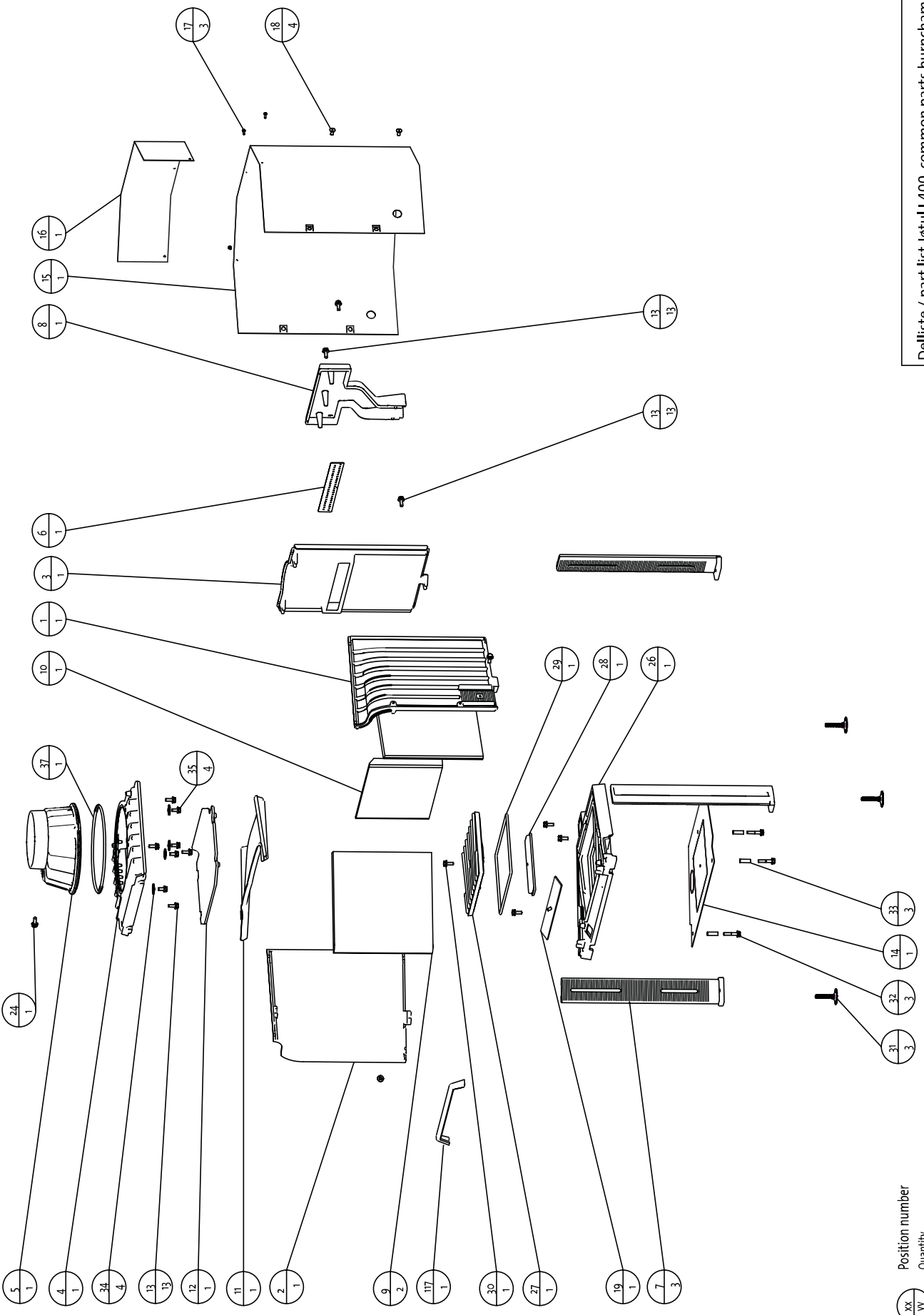
xx — Position number
yy — Quantity

Delliste / part list Jøtul I 400 FL

Jøtul AS
Fredrikstad Norway

Draw. no: 3-3481-Poo
Sheet 2/4

Date: Sept. 07



Position number
Quantity

Delliste / part list Jøtul I 400 common parts burnchamber

Jøtul AS
Fredrikstad Norway

Draw. no: 3-3481-Poo
Sheet 4/4

Date: Sept. 07